



**CLEMCO**  
The Performance System

**TECHNICAL DATA SHEET**

*Note: For safe, efficient blasting, read and follow the owner's manual and seek training for everyone who will use this equipment.*

**Purpose**

Clemco Supa blast hose is standard equipment on all Contractor Series Blast Machines. Supa hose is lighter and more flexible than 2-braid or 4-ply blast hose of the same ID. It can be used with all common blast media.

Supa hose achieves its lightness and flexibility from its slightly thinner outer casing. The inner tube is made from SBR rubber.

**Description of Operation**

Clemco Supa blast hose is fabricated to fit Clemco couplings and nozzle holders. The blast hose inner diameter (ID) should be 3 to 4 times the size of the nozzle orifice and the same size as the nozzle entry diameter. The hose ID should be the same size or larger than the machine piping.

For applications where heavier 2-braid or 4-ply blast are used (for their more durable outer casing) a 10 to 15 foot length of Supa hose can be connected as the last section before the nozzle. This whip hose is easier for the operator to maneuver.

**Advantages**

- Inner tube wall of SBR rubber treated with static-dissipating compound
- Reinforced outer casing of cloth and rubber-impregnated fiber winding
- Casing is pin-pricked to prevent formation of air pockets between layers
- More flexible than 2-braid or 4-ply blast hose
- Lighter weight and slightly smaller OD make it a better whip hose

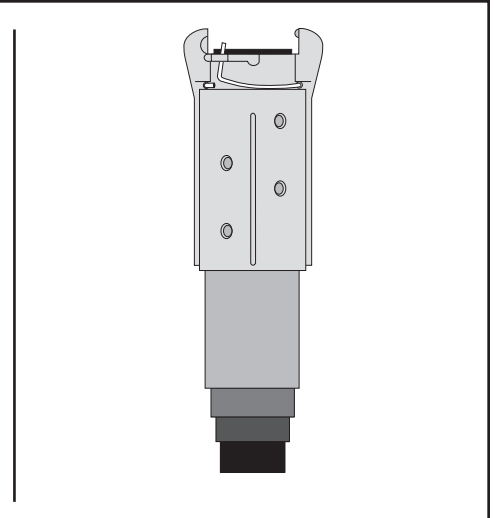
**Description**

Super-flexible, lightweight, reinforced blast hose, rated at 175 psi working pressure.



**Blast Hose, Supa**

**Stock No. 23100, 23101, 23102, 23103, 23104, 23105, 23106, 23643**



**Related Clemco Literature**

Description	Stock No.
Contractor Series Catalog .....	21385
Abrasive Blasting Safety Practices ..	22090
Blast Off 2 .....	09294
Safety Cable TDS .....	21970

**Options & Accessories**

**For 3/4 inch Supa Hose**

Description	Stock No.
NHP-3/4 nylon nozzle holder, contractor thread .....	11398
CQPS-3/4 nylon coupling .....	11395
Blast hose safety cable .....	15012

**For 1-inch Supa Hose**

NHP-1 nylon nozzle holder, contractor thread .....	04106
CQPS-1 nylon coupling .....	21088
Blast hose safety cable .....	15013

**For 1-1/4 inch Supa Hose**

NHP-2 nylon nozzle holder, contractor thread .....	04127
CQPS-2 nylon coupling .....	08413
Blast hose safety cable .....	15013

Description	Stock No.
3/4" ID x 1-5/16" OD* per foot	23100
3/4" ID x 1-5/16" OD* x 25'	23101
3/4" ID x 1-5/16" OD* x 50'	23102

1" ID x 1-1/2" OD* x 25' .....	23103
1" ID x 1-1/2" OD* x 50' .....	23104

1-1/4" ID x 1-7/8" OD* x 25' .....	23105
1-1/4" ID x 1-7/8" OD* x 50' .....	23106
1-1/4" ID x 1-7/8" OD* x 100' .....	23643

**\*OD spec is held for 6 inches from each end.**

**Color - Brown**

**Ships coiled and shrink wrapped.**

Weight	Shipping Dimensions	Stock No.
11 lb	24" Dia. x 3"	23101
23 lb	24" Dia. x 4"	23102
14 lb	25" Dia. x 4"	23103
26 lb	31" Dia. x 4"	23104
17 lb	25" Dia. x 4"	23105
36 lb	31" Dia. x 4"	23106
76 lb	32" Dia. x 8"	23643

Authorized Distributor:

*ISO 9001:2000 certified. Clemco is committed to continuous product improvement. Specifications are subject to change without notice.*



**CLEMCO**  
The Performance System

## TECHNICAL DATA SHEET

*Note: For safe, efficient blasting, read and follow the owner's manual and seek training for everyone who will use this equipment.*

### Purpose

Two-braid hose is used in industrial settings where external scuffing is expected. It can be used with all common blast media. Clemco 2-braid blast hose has a durable outer casing and is more flexible than 4-ply hose.

### Description of Operation

Clemco 2-braid blast hose accepts properly sized couplings and nozzle holders. The coupled hose can attach to any blast machine rated at up to 150 psi. Two-braid hose is widely used in shipyards and railyards because it stands up to external abrasions from being dragged about the blast site.

For applications where 2-braid blast hoses are used (for their more durable outer casing), a 10 to 15 foot length of Clemco Supa hose can be connected as the last section before the nozzle. This whip hose is easier for the operator to bend and maneuver.

### Advantages

- More durable outer casing than Supa hose
- Inner tube wall of SBR rubber treated with static-dissipating compound, up to 5/16-inch thick depending upon hose size
- Two-layer outer casing of cloth and rubber-impregnated fiber winding
- Casing is pin-pricked to prevent formation of air pockets between layers
- More flexible than 4-ply blast hose

*ISO 9001:2000 certified. Clemco is committed to continuous product improvement. Specifications are subject to change without notice.*

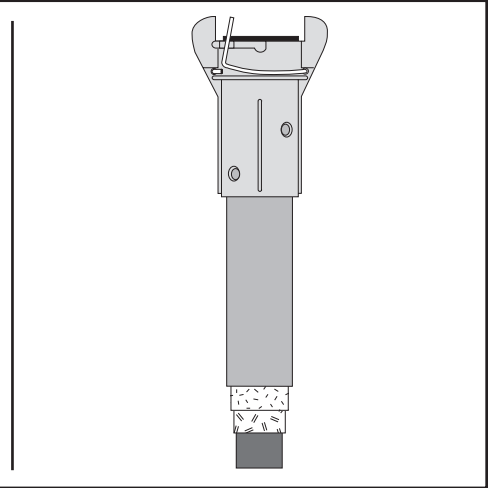
## Description

Durable, reinforced 2-braid blast hose, rated at 175 psi working pressure.



## Blast Hose, 2-Braid

Stock No. 23750, 23751, 23752, 23753, 23754, 23755, 23756



### Related Clemco Literature

Description	Stock No.
Contractor Series Catalog	21385
Abrasive Blasting Safety Practices	22090
Blast Off 2	09294
Safety Cable TDS	21970

### Options and Accessories

#### For 1/2-inch 2-braid

CHE-1/2 nylon nozzle holder, contractor thread	00577
CQA-1/2 aluminum coupling	00599

#### For 3/4-inch 2-braid

NHP-1 nylon nozzle holder, contractor thread	04106
CQP-1 nylon coupling	08412
HEP-1 nylon nozzle holder, fine thread	07720

#### For 1-inch 2-braid

NHP-2 nylon nozzle holder, contractor thread	04127
CQP-2 nylon coupling	21711
HEP-2 nylon nozzle holder, fine thread	07721

#### For 1-1/4 -inch 2-braid

NHP-3 nylon nozzle holder, contractor thread	04128
CQP-3 nylon coupling	08414
HEP-3 nylon nozzle holder, fine thread	07722

### Standard 2-Braid

Description	Stock No.
1/2" ID x 1-13/16" OD* x 25'	23750
1/2" ID x 1-13/16" OD* x 50'	23751
3/4" ID x 1-1/2" OD* x 25'	23752
3/4" ID x 1-1/2" OD* x 50'	23753
1" ID x 1-7/8" OD* x 25'	23754
1" ID x 1-7/8" OD* x 50'	23755
1-1/4" ID x 2-3/32" OD* x 50'	23756

\*OD spec is held for 6 inches from each end.

Color - Green

Ships coiled and shrink wrapped.

Stock No.	Weight
23750	12 lbs
23751	26 lbs
23752	17 lbs
23753	35 lbs
23754	25 lbs
23755	51 lbs
23756	62 lbs

Description	Stock No.
Blast hose safety cable	15013

Authorized Distributor:



**CLEMCO**  
The Performance System

## TECHNICAL DATA SHEET

*Note: For safe, efficient blasting, read and follow the owner's manual and seek training for everyone who will use this equipment.*

### Purpose

4-ply blast hose is used in industrial settings where external scuffing and occasional light vehicle traffic is expected. It can be used with all common blast media.

### Description of Operation

Clemco 4-ply blast hose accepts properly sized blast couplings and nozzle holders. The coupled hose can attach to any blast machine fitted with quick coupling connections.

4-ply hose is widely used in shipyards and railyards because it stands up to external abrasions from being dragged about the blast site. The tough outer casing of 4-ply blast hose can even withstand occasional light vehicle traffic without collapsing.

For applications where 4-ply blast hoses are used, a 10- to 15-foot length of Clemco Supa hose can be connected as the last section before the nozzle. This whip hose is easier for the operator to bend and maneuver.

### Advantages

- 4-ply hose has a durable outer casing compared to 2-braid and Supa hose
- Inner tube wall of 1/4-inch thick SBR rubber treated with static-dissipating compound
- Four-layer outer casing of cloth and rubber-impregnated fiber winding
- Casing is pin-pricked to prevent formation of air pockets between layers

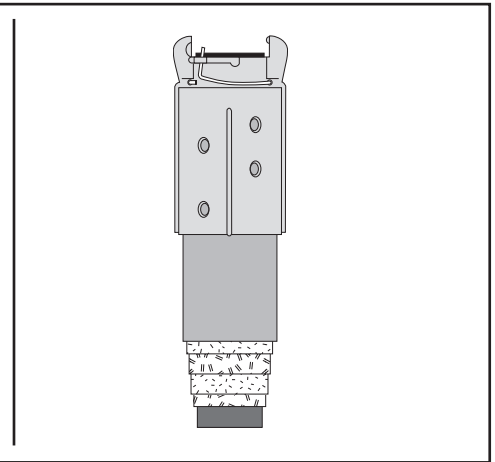
## Description

Durable, reinforced 4-ply blast hose, rated at 175 psi working pressure.



## Blast Hose, 4-Ply

Stock No. 23444, 23445, 23446, 23447, 23448, 23449, 23450, 23451, 23452, 23453, 23455, 24750



### Options and Accessories

Description	Stock No.
<b>For 1/2-inch 4-ply</b>	
CHE-1/2 aluminum nozzle holder (3/4" thread) .....	00577
CQA-1/2 aluminum coupling .....	00599
<b>For 3/4-inch 4-ply</b>	
NHP-1 nylon nozzle holder (contractor thread) .....	04106
HEP-1 nylon nozzle holder (1-1/4" thread) .....	07720
CQP-1 nylon coupling .....	08412
<b>For 1-inch 4-ply</b>	
NHP-2 nylon nozzle holder, (contractor thread) .....	04127
CQP-2 nylon coupling .....	21711
<b>For 1-1/4-inch 4-ply</b>	
NHP-3 nylon nozzle holder, (contractor thread) .....	04128
CQP-3 nylon coupling .....	08414
<b>For 1-1/2-inch 4-ply</b>	
CFP cplg nozzle holder .....	07716
FHP cplg nozzle holder .....	07718
CFPM cplg nozzle holder .....	07719
CQP-4 nylon coupling .....	07714
<b>Related Clemco Literature</b>	
Contractor Series Catalog .....	21385
Abrasive Blasting Safety Practices ..	22090
Blast Off 2 .....	09294
Safety Cable TDS .....	21970

### Uncoupled, 4-ply Blast Hose

Description	Stock No.
1/2" ID x 1-3/16" OD* x 25 ft. ....	23444
1/2" ID x 1-3/16" OD* x 50 ft. ....	23445
3/4" ID x 1-1/2" OD* x 25 ft. ....	23446
3/4" ID x 1-1/2" OD* x 50 ft. ....	23447
3/4" ID x 1-1/2" OD* x 100 ft. ....	24750
1" ID x 1-7/8" OD* x 25 ft. ....	23455
1" ID x 1-7/8" OD* x 50 ft. ....	23448
1" ID x 1-7/8" OD* x 100 ft. ....	23449
1-1/4" ID x 2-3/32" OD* x 50 ft. ....	23450
1-1/4" ID x 2-3/32" OD* x 100 ft. ....	23451
1-1/2" ID x 2-3/8" OD* x 50 ft. ....	23452
1-1/2" ID x 2-3/8" OD* x 100 ft. ....	23453

### Blast Hose Safety Cables

For 1/2" to 1-1/4" OD hose .....	15012
For 1-1/2" to 3" OD hose .....	15013

\*OD spec is held for 6 inches from each end.

Color - Black

Ships coiled and shrink wrapped.

Stock No.	Weight	Stock No.	Weight
23444	.....12 lbs	23449	.....109 lbs
23445	.....24 lbs	23450	.....60 lbs
23446	.....18 lbs	23451	.....121 lbs
23447	.....35 lbs	23452	.....65 lbs
23455	.....27 lbs	23453	.....130 lbs
23448	.....54 lbs	24750	.....64 lbs

Authorized Distributor:

ISO 9001:2000 certified. Clemco is committed to continuous product improvement. Specifications are subject to change without notice.