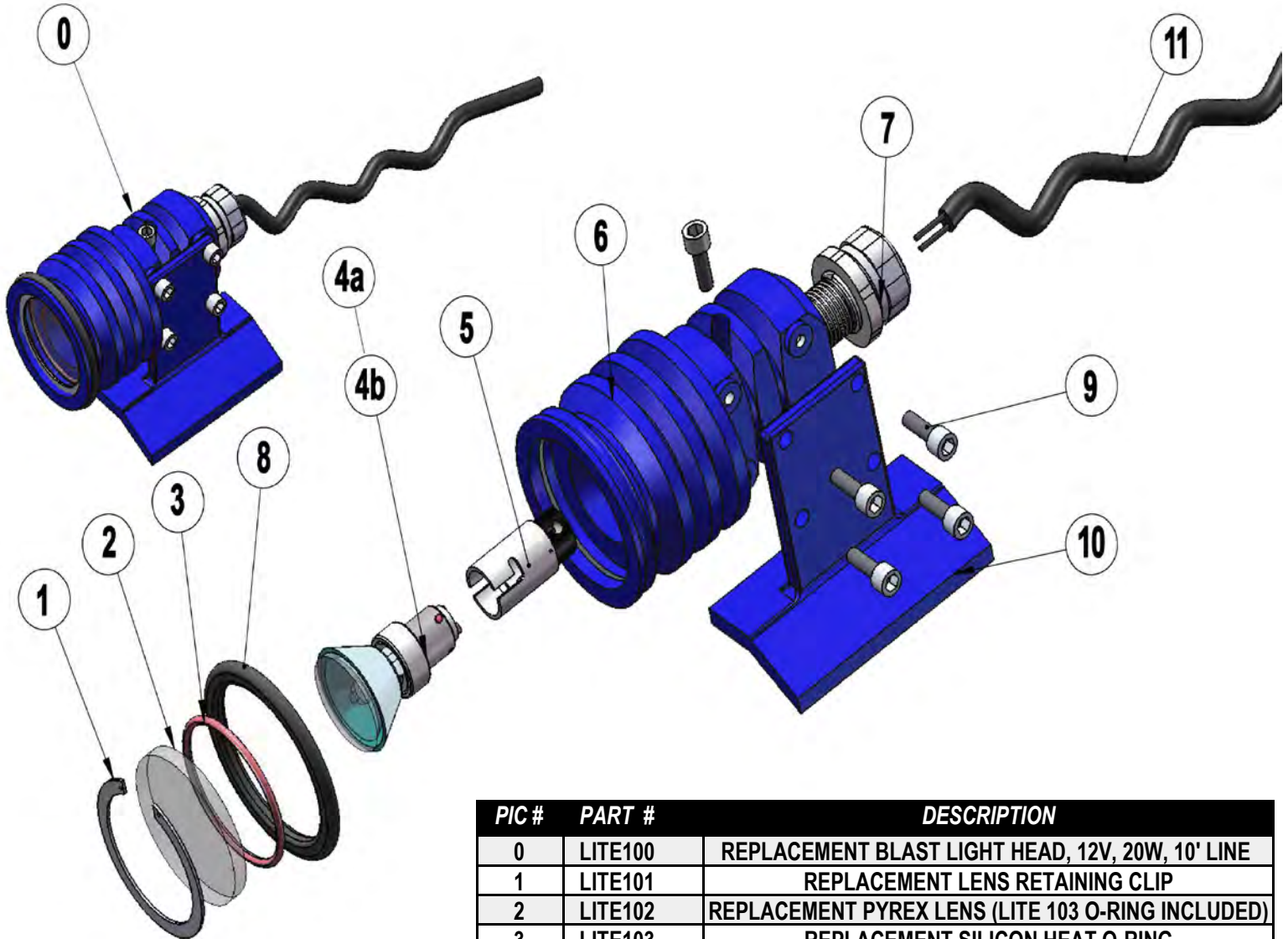


TWRS LITE100 SERIES HALOGEN BLAST LIGHTS

PACKAGE #	DESCRIPTION
LITE100BC-150	BLAST LIGHT SYSTEM 12 VDC, 20W, 150' LINE WITH BATTERY CLAMPS
LITE100BC-75	BLAST LIGHT SYSTEM 12 VDC, 20W, 75' LINE WITH BATTERY CLAMPS
LITE100EPS-150	BLAST LIGHT SYSTEM 120 VAC TO 12 VDC, 20W, 150' LINE
LITE100EPS-75	BLAST LIGHT SYSTEM 120 VAC TO 12 VDC, 20W, 75' LINE
LITE100EPS-75-2	2 BLAST LIGHT SYSTEM 120 VAC TO 12 VDC, 20W, 75' LINE EACH LIGHT



PIC #	PART #	DESCRIPTION
0	LITE100	REPLACEMENT BLAST LIGHT HEAD, 12V, 20W, 10' LINE
1	LITE101	REPLACEMENT LENS RETAINING CLIP
2	LITE102	REPLACEMENT PYREX LENS (LITE 103 O-RING INCLUDED)
3	LITE103	REPLACEMENT SILICON HEAT O-RING
4A	LITE104A	REPLACEMENT BULB, 20 WATT 12 VOLT
4B	LITE104B	REPLACEMENT BULB, 35 WATT 12 VOLT
5	LITE105	REPLACE BULB SOCKET KIT
6	LITE106	REPLACEMENT BODY
7	LITE107	STRAIN RELIEF FITTING (FORMERLY LITE789)
8	LITE108	BUMP RING
9	LITE109	ALLEN SCREWS M5X15
10	LITE110	REPLACEMENT HOSE MOUNT
11	16.2-SO	2 WIRE, 600 VOLT, SOOW(sold by the foot)